



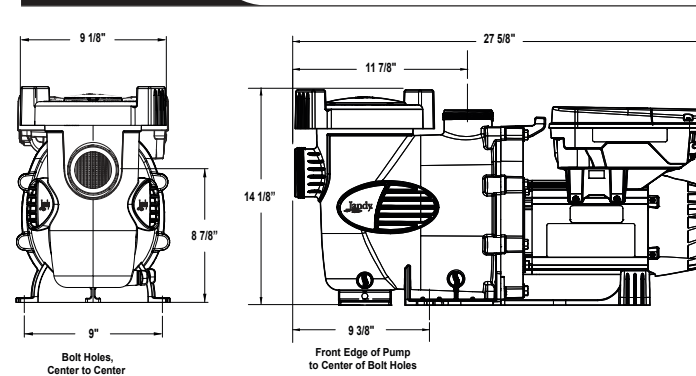
## Intelligent Pump Design.

- **No Rewiring Necessary**  
Auto-sensing dual voltage motor automatically recognizes and adapts to 115- or 230-volt power supplies.
- **Add iQPUMP01 for Instant Automation**  
Two auxiliary relays allow the pump to control other equipment such as a salt chlorinator and booster pump without a separate timeclock.
- **Space Saving Design**  
Zero Clearance TEFC motor pulls in cooler air from the side of the motor instead of the back, allowing for compact installation against walls or other tight setups.



- **Additional Features**
  - > 40% larger strainer basket than the leading competitor for greater pool owner convenience and improved efficiency when loaded with debris
  - > 2" x 2.5" unions included for easy installation and maintenance with no hidden costs
  - > Easy Controller Setup auto detects connection to an automation system or a traditional controller, eliminating the need to adjust settings manually
  - > RS485 Quick Connect Port for faster installation and maintenance
  - > Dry Contact Relay Control
  - > Ergonomic carry handle for easy installation
  - > Tool free lid allows for quick and easy cleaning of the pump basket
- **Choose Your Own Controller**  
Designed to work with the following Jandy control systems for complete programmability and customization (controller sold separately):
  - > Jandy AquaLink® Automation Systems
  - > iQPUMP01 with iAquaLink® App Control
  - > JEP-R Controller

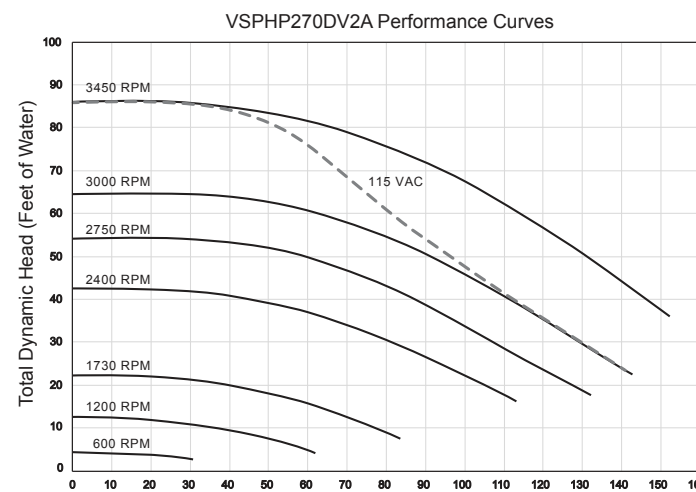
## DIMENSIONS



## SPECIFICATIONS

Model No.	THP	WEF <sup>1</sup>	Voltage	Max Watts	Amps	Union Size	Rec. Pipe Size <sup>2</sup>	Carton Weight	Overall Length
VSPHP270DV2A	2.70	7.2 8.9	230 VAC 115 VAC	2,250W 1,840W	10.5 16.0	2" x 2 1/2"	2" - 3"	64.0 lbs	27 5/8"

## PERFORMANCE



<sup>1</sup> WEF = weighted energy factor in kgal/kWh. WEF is a performance-based metric adopted by the Department of Energy to characterize the energy performance of dedicated-purpose pool pumps. Department of Energy 10 CFR Parts 429 and 431.  
<sup>2</sup> Always follow local building and safety codes for pipe sizing and guidelines.  
<sup>3</sup> Based on independent third-party lab testing at 1725 and 3450 RPM from 6 ft.



# MAXIMUM EFFICIENCY. MAXIMUM SAVINGS.



**VS PLUSHP**  
VARIABLE-SPEED PUMP

# Engineered to cut energy costs while increasing operational efficiency.

VS PlusHP is a high performance, energy-efficient pool pump, in a mid-sized body that reduces energy costs by over \$1,100<sup>1</sup> versus single-speed pool pumps. Designed for feature rich pools, the VS PlusHP is engineered with an enhanced motor providing dual voltage capabilities and two auxiliary relays — making it easy to add automation for simple, convenient pool operation.



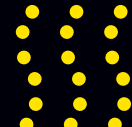
POOL AND SPA COMBOS



SOLAR HEATING



IN-FLOOR SYSTEMS



SHEER DESCENTS



WATER FEATURES



## MAXIMUM CONVENIENCE

Featuring two auxiliary relays which, when combined with iQPUMP01, enables instant automation for your pump — plus two additional pieces of equipment — eliminating the need for an extra time clock to control equipment such as a booster pump or salt chlorinator.



**iAquaLink**  
CONTROL

## POOL CONTROL IN THE PALM OF YOUR HAND

Connect to iAquaLink®, the highest-rated pool control app, for the ultimate in intelligent pool control from your mobile device. With iAquaLink you can manage all the elements of your pool or spa anytime, anywhere.

115V



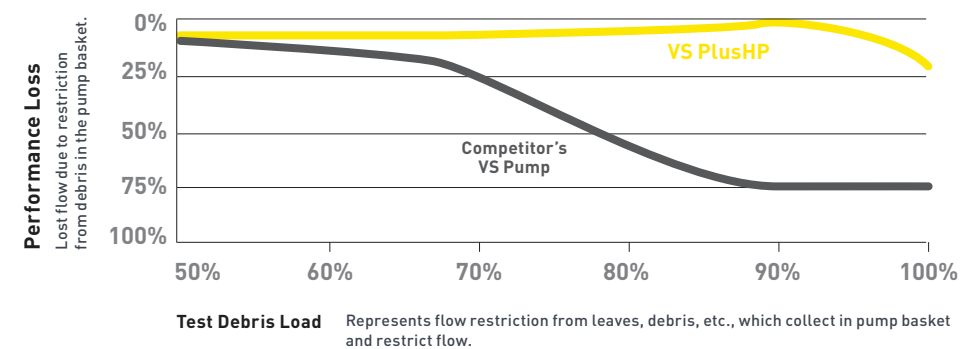
230V

## DUAL VOLTAGE<sup>2</sup>

Auto-sensing dual voltage variable-speed motor automatically recognizes and adapts to 115- or 230-volt power supplies, providing installation flexibility and eliminating the need for expensive main power rewiring.

## MAXIMUM EFFICIENCY

Small pump baskets fill faster — restricting flow and eroding performance. The VS PlusHP, with its oversized basket, delivers more consistent performance and better efficiency under real-world conditions — with a smaller motor.



VS PlusHP  
2.7 Total  
Horsepower

40%  
Larger  
Basket

Competitor's  
VS Pump  
3.95 Total  
Horsepower

## QUIET OPERATION

No need to talk loudly or raise your voice to be heard. Proprietary sound dampening motor technology provides "Quiet Pump" operation for reduced noise<sup>3</sup> — so you don't need to compete with your pump, you can carry on normal conversation without disruption.

